

1.5 - 24" diameters Portable Boring Bar



- **Pneumatic, hydraulic or electric drive**
- **Standard 24" boring stroke**
- **High torque geared bar drive**
- **Easy use roughing and finishing feeds**
- **Utilise existing boring bars**

A modular line boring machine for buckets, hinge pins, gearboxes and many more applications with the drive and feed being modular components common to the LB30.

The machine is supplied complete with toolkit, tools and inserts, air filter lubricator and hose connection (where required) 2 off single leg mounting plates and tack weld base, bore welder interface, storage / shipping box, CE certificate, packing list and manual.

Technical Details

Minimum Boring Diameter	40mm	1.5"
Maximum Boring Diameter	610mm	24"
Standard Boring Bar Stroke	610mm	24"
Maximum Bar Length	3m	120"
Bar R.P.M - Electric	Min: 25	Max: 250
Bar R.P.M - Pneumatic / Hydraulic	Min: 5	Max: 75
Drive - Pneumatic @ 90 p.s.i (6 bar)	0.9 Hp	0.67 Kw
Drive - Electric (110v or 240v)	2.4 Hp	1.80 Kw
Drive - Hydraulic @ 1050 p.s.i (70 bar)	2.2 Hp	1.64 Kw
Air Consumption / Supply Required	42 S.c.f.m	1.19 m3/m
Hydraulic Supply Required	2.0 L/min	5 Gal/min

Feed Rates

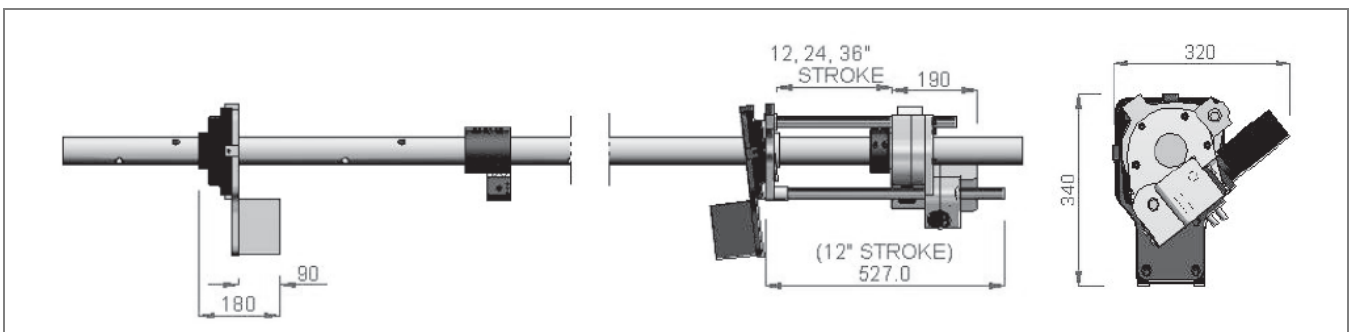
Facing Feed Rate		
- No. 1 Finishing	0.05mm	0.002"
- No. 2 Roughing	0.20mm	0.008"
Hand Feed / Revolution	1.0mm	0.039"

Weights and Dimensions

Machine Weight	76 Kgs	168 Lbs
Shipping Weight	196 Kgs	432 Lbs

Shipping Dimensions

Length		Width		Height	
mm	inches	mm	inches	mm	inches
1500	59	600	24	500	20



Optional Accessories

Package Supply				
Part Number	Description	Qty	Standard Package	Optional
LB3060-1E	Rotational Drive & 110/230V motor	1	Choice of power supply	
LB3060-1A	Rotational Drive & pneumatic 2.0hp motor			
LB3060-1H	Rotational Drive & hydraulic 2.2hp motor			
LB3060-1P	Electric motor pendant control (110 / 230v)	1		✓
LB3060-2	2 speed Feed gearbox (0.15 / 0.30mm per rev)	1	✓	
LB3060-2V	Variable feed gearbox (0-1mm per rev)	1		✓
LB3060-3	30mm bar single arm mount plain	1	✓	
LB3060-3D	30mm bar single arm mount drive & bore welder	1	✓	
LB3060-4	60mm bar single arm mount plain	1	✓	
LB3060-4D	60mm bar single arm mount drive and bore welder	1	✓	
LB3060-4B	60mm bar Two arm mount drive & bore welder	1		✓
LB3060-4C	60mm bar Four arm mount drive & bore welder	1		✓
LB3060-5	60mm x 4ft boring bar with 12mm tool pockets	1		✓
LB3060-5A	60mm x 6ft boring bar with 12mm tool pockets	1		✓
LB3060-5B	60mm x 8ft boring bar with 12mm tool pockets	1	✓	
LB3060-5C	60mm x 10ft boring bar with 12mm tool pockets	1		✓
LB3060-5D	60mm x 12ft boring bar with 12mm tool pockets	1		✓
LB3060-6	30mm x 4ft boring bar with 10mm tool pockets	1		✓
LB3060-6A	30mm x 6ft boring bar with 10mm tool pockets	1	✓	
LB3060-6B	30mm x 8ft boring bar with 10mm tool pockets	1		✓
LB3060-6C	30mm x 10ft boring bar with 10mm tool pockets	1		✓
LB3060-6D	30mm x 12ft boring bar with 10mm tool pockets	1		✓
LB3060-7	(1.5 - 6") Tool holders and tools	1 set	✓	
LB3060-8	(6 - 9", 9 - 14", 14 - 24") Adjustable boring arms	1 set	✓	
LB3060-9	24" stroke feed screw and reaction bars	1 set	✓	
LB3060-HK	Hose kit - pneumatic & hydraulic option only	1		✓
LB3060-TK	Toolkit - (L/H + R/H) cutting tools and inserts	1	✓	
LB3060-10	36" stroke feed screw and reaction bars	1 set		✓
LB3060-11	Facing head 30mm - 14" diameter (13.375" swing)	1		✓
LB3060-11A	Facing head 30mm - 24" diameter (23.625" swing)	1		✓
LB3060-12	Fast set magnetic single arm mounts	1		✓
LB3060-14	8 - 24" Taper turning attachment	1		✓
LB3060-15	Face adjusting ID mount	1		✓
LB3060-15A	(10 - 24") ID mount	1		✓
LB3060-16	Set 2 set up cones (1.5 - 4.00") 30mm bar	1 set		✓
LB3060-16A	Set 2 set up cones (3 - 8") 60mm bar	1 set		✓
LB3060-16B	Set 2 set up cones (8 - 12") 60mm bar	1 set		✓